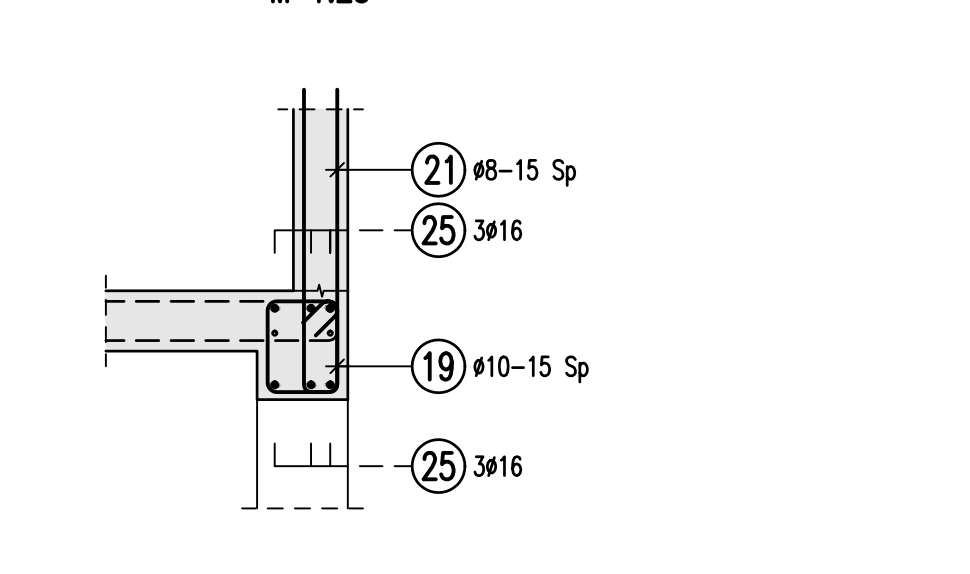
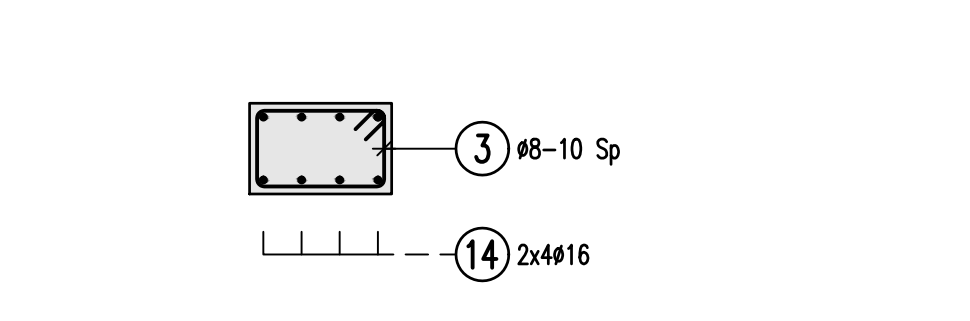


TIPSKI PRESJEK 1-1  
M 1:25



TIPSKI PRESJEK 2-2  
M 1:25



1	122#8 L=1.85 m 80
2	34#8 L=1.74 m 51
3	9#8 L=1.56 m 42
4	17#8 L=2.46 m 87
5	17#8 L=2.06 m 70
6	17#8 L=1.65 m 70
7	24#8 L=1.52 m 40
8	17#8 L=2.40 m 84
9	65#8 L=1.22 m 25
10	17#8 L=1.32 m 30
11	24#8 L=1.35 m 55
12	24#8 L=1.45 m 130
13	92#10 L=2.10 m 210
14	362#16 L=4.10 m 410
15	34#8 L=2.80 m 280
16	8#16 L=2.68 m 268
17	6#16 L=2.40 m 240
18	12#8 L=1.33 m 55
19	37#10 L=1.32 m 30
20	15#16 L=3.41 m 165
21	132#8 L=2.11 m 100
22	7#8 L=1.01 m 85
23	158#10 L=1.55 m 155
24	2#12 L=2.41 m 110
25	6#16 L=11.55 m 1155
26	6#16 L=9.10 m 910
27	18#16 L=11.00 m 1100
28	6#16 L=6.50 m 650
29	68#8 L=1.55 m 70
30	18#8 L=1.64 m 56
31	18#8 L=0.88 m 18
32	17#8 L=1.07 m 31
33	150#8 L=1.53 m 70
34	36#8 L=0.96 m 24
35	34#8 L=1.73 m 80
36	174#8 L=1.23 m 55
37	18#8 L=2.00 m 76
38	18#8 L=1.14 m 33
39	37#8 L=3.45 m 345
40	2#16 L=2.15 m 215
41	2#8 L=2.63 m 125
42	13#8 L=2.01 m 95
43	1#16 L=1.71 m 180
44	37#8 L=1.71 m 80
45	8#8 L=1.35 m 46
46	30#8 L=0.91 m 46
47	18#8 L=1.20 m 36
48	18#8 L=1.78 m 65
49	8#8 L=3.35 m 335
50	2#16 L=2.10 m 210
51	4#8 L=1.75 m 175
52	9#8 L=1.67 m 62
53	4#14 L=2.10 m 210
54	17#8 L=1.88 m 58
55	17#8 L=2.05 m 90
56	17#8 L=1.76 m 52
57	34#8 L=1.58 m 43
58	24#8 L=1.42 m 35
59	17#8 L=1.50 m 39
60	4#14 L=5.95 m 595
61	37#8 L=1.05 m 75
62	6#16 L=6.55 m 655
63	3#14 L=10.00 m 1000
64	3#14 L=5.25 m 525

AB ZID 2 (d=20)  
M 1:50

AB ZID 3 (d=18)  
M 1:50

AB ZID 4 (d=18)  
M 1:50

